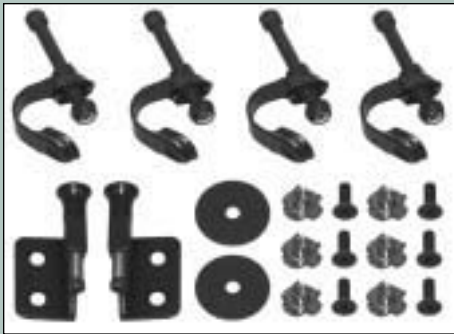


# Insert Mounting Kits

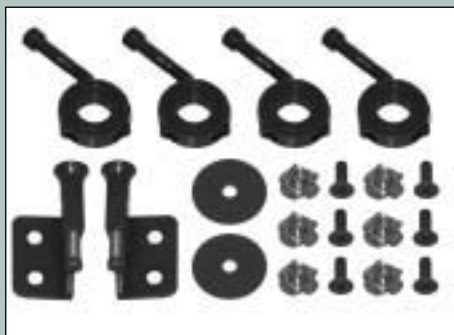
## Hardware Kits for Seat & Back



### Quick Release Seat Hardware Kit, Biting Clamp Style

A Miller's original! These brackets securely lock the seat insert into place. The quick-release feature facilitates easy removal of the insert. Placement of the clamps on the wheelchair frame or seat rails allows for a variety of seat heights and angles.

- 50000 7/8" Biting Clamp Kit
- 50002 1" Biting Clamp Kit



### Quick Release Seat Hardware Kit, Collar Clamp Style

Just like Miller's original design, but easier to use! Kit uses 2- piece collar clamps in place of biting clamps. These collar clamps are easier to install and adjust. They grip tubing firmly and will not rotate out of place. Kit includes convenient quick release hardware.

- 50030 3/4" Collar Clamp Kit
- 50033 7/8" Collar Clamp Kit
- 50036 1" Collar Clamp Kit



### Quick Release Back Hardware Kit, Biting Clamp Style

Another Miller's original! These brackets securely lock the back insert into place. The quick-release feature facilitates easy removal of the insert. Placement of the clamps on the wheelchair frame or back canes allows for a variety of back depths and angles.

- 40000 7/8" Biting Clamp Kit
- 40002 1" Biting Clamp Kit



### Quick Release Back Hardware Kit, Collar Clamp Style

Just like Miller's original design, but easier to use! Kit uses 2- piece collar clamps in place of biting clamps. These collar clamps are easier to install and adjust. They grip tubing firmly and will not rotate out of place. Kit includes convenient quick release hardware.

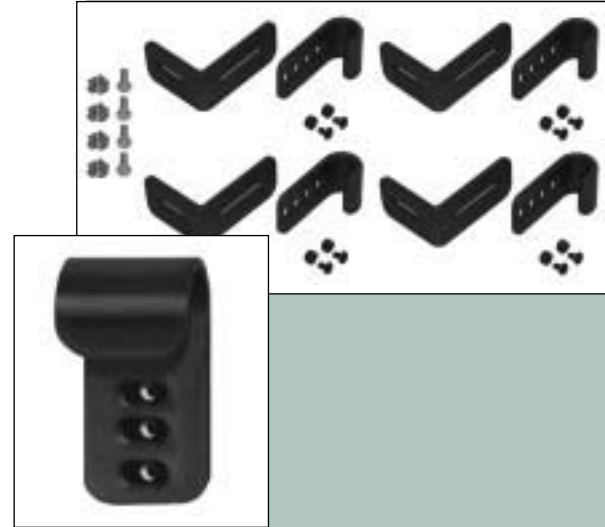
- 40030 3/4" Collar Clamp Kit
- 40033 7/8" Collar Clamp Kit
- 40036 1" Collar Clamp Kit

# Insert Mounting Kits Components & Hardware

## "J" Style Drop Hooks

These 2-piece, adjustable-height drop hooks are lightweight and durable. Made of composite, they will not scratch the wheelchair or rust. They allow seat insert mounting 1" above or 1 1/2" below the seat rails (adjustments in 1/2" increments). Side-to-side or front-to-back tilt adjustments accommodate pelvic obliquity, independent foot positioning, etc. Because the J-hooks snap firmly into place, they do not require locking hardware, and eliminate the need for rail locks. This kit includes all mounting hardware.

50050	3/4" J-Hook Kit, set of 4
50053	7/8" J-Hook Kit, set of 4
50056	1" J-Hook Kit, set of 4
50090	3/4" J-Hook Only, ea
50092	7/8" J-Hook Only, ea
50094	1" J-Hook Only, ea
50096	L-Bracket Only, ea



## Adjustable Depth Hardware

Adjustable depth hardware allows back insert to be positioned in front of the back uprights, shortening wheelchair seat depth. Hardware allows movement of the back insert closer to the uprights. Works especially well for children, or when rapid growth changes are anticipated. Can be used to adjust back to seat angle. Includes quick release hardware and catch hooks.

40050	7/8", Biting Clamp Kit
40055	1", Biting Clamp Kit
40060	3/4", Collar Clamp Kit
40065	7/8", Collar Clamp Kit
40070	1", Collar Clamp Kit



## Hardware Covers

This easy to install hardware cover provides extra padding and protection around mounting hardware locations.

20000	Hardware Cover, Velcro Style
20005	Hardware Cover, Tube Style

